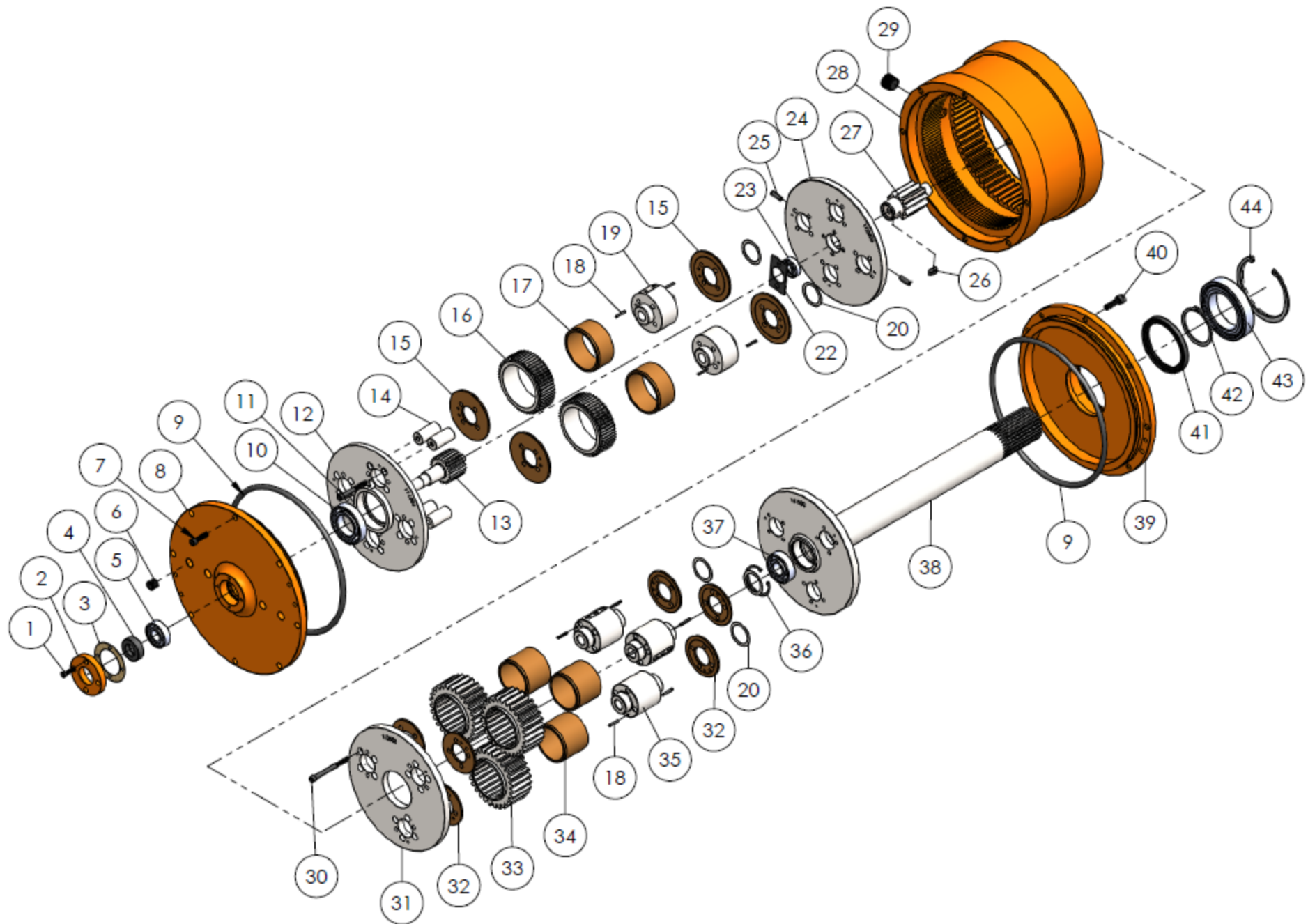


# Rev Tech LC - Aftermarket Parts for P-52 | P-125 Gearbox



Item#	Part#	Description	Qty	Item#	Part #	Description	Qty
1	110103	SHCS 10" - 24 x 3/4"	4	24	112200	1st Stage Inner Plate	1
2	110102	Seal Retainer	1	25	112400	Roll Pins 1/4" x 3/4"	2
3	110500	Gasket	1	26	112301	Key	1
4	110400	Oil Seal	1	27	112300	2nd Stage Pinion	1
5	110300	Bearing 6203	1	27-A	110800	1st Stage Assembly P-52	1
7	110101	SHCS 1/4" - 20 x 1"	8	27-B	110801	1st Stage Assembly P-125	1
8	110100	Outside Cover	1	27-C	110802	1st Stage Sub Assembly	1
9	110200	O' Ring 447 H70	2	28	110900	Ring Gear Case	1
10	110700	Bearing 6007	1	31	112602	2nd Stage Outer Plate	1
10-A	110800	Shim Set	1	32-A	113101	2nd Stage Thrust Washer	6
12	111501	1st Stage Outer Plate	1	32-B	113100	2nd Stage Thrust Washer (OEM)	6
13-A	112100	1st Stage Pinion P-52	1	33	113000	2nd Stage Planet Gear	3
13-B	112101	1st Stage Pinion P-125	1	34	112901	2nd Stage Bronze Bearing	3
14	112206	Cage Support	4	35	112900	2nd Stage Axle	3
15-A	111901	1st Stage Thrust Washer	4	36	112700	Snap Ring 5000-185	1
15-B	111900	1st Stage Thrust Washer (OEM)	4	37	112800	Bearing 6204	1
16-A	111700	1st Stage Planet Gear P-52	2	38	111103	2nd Stage Inner Plate w/Spline	1
16-B	111701	1st Stage Planet Gear P-125	2	38-A	111000	2nd Stage Assembly	1
17	111801	1st Stage Bronze Bearing	2	38-B	111001	2nd Stage Sub Assembly	1
18	111800	Roll Pin 1/8" x 3/4"	10	39	111200	Inside Cover	1
19	111800	1st Stage Axle	2	40	111204	SHCS 5/16" - 18 x 1"	8
20	112000	Spring Washer (OEM)	5	41	111300	Oil Seal	1
21	112201	FH SHCS 8" - 32 x 3/8"	2	42	111202	Snap Ring 5100-237	1
22	112202	Bearing Retainer	1	43	111400	Bearing 6012	1
23	112500	Bearing 6200	1	44	111203	Snap Ring 5000-375	1



\* Rev Tech LC is an independent centrifuge gearbox part supplier for various OEM companies and is not affiliated with these OEM companies.